

A woman with her hair in a bun, wearing a grey sweater and earbuds, is seen from behind, working at a desk. She is using a tablet. The desk is lit by a black desk lamp. In the background, there is a digital clock showing '12 53', a framed picture of a landscape with trees, and a computer monitor displaying a bar chart. The overall scene is a home office.

 FiberCop

EASY IP ADSL

Broadband with minimal investment

Easy IP ADSL

With the Easy IP ADSL service, you can give your customers ultra-broadband Internet access thanks to the widespread nature of the FiberCop network.

Caratteristica del servizio

Accessi ADSL

Downstream fino a **20 Mbit/s**

Upstream fino a **1 Mbit/s**

Who is it for?

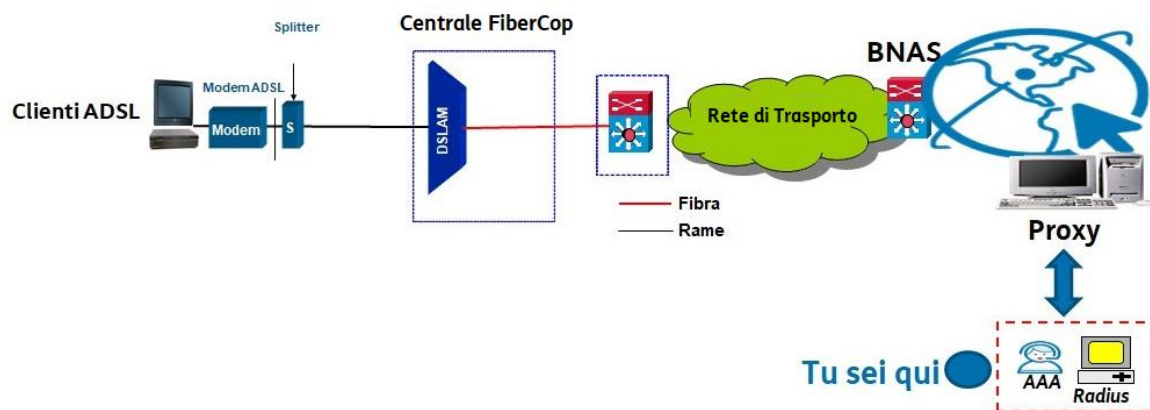
Easy IP ADSL is the ideal solution if:

- you are a new operator (ISP) entering the market;
- you are a wireless network operator (WISP) wanting to complete its coverage.

Descrizione del servizio

The Easy IP ADSL service allows you to provide your customers with full broadband Internet browsing services: the solution is based on the integration of the ADSL access component and the national and international IP band.

When you purchase Easy IP ADSL, you retain full commercial management (billing) of your customers and manage the Authentication, Authorisation, Accounting (AAA) functionality on your Radius server. You can complete your customer offer with services such as email, domains, security services and others.



Easy IP ADSL

More to know

To use EASY IP ADSL it is sufficient to have a Radius server with a static public IP reachable from the Internet, which manages the authentication, authorization and accounting of your customers.

Getting Started

After signing the contract, you must:

- Test the initial configuration for the dialogue between the Telecom Italia Proxy and your Radius server;
- ask us to activate ADSL access from your customers' locations. You can ask us either to create a new line or to carry out a "migration", i.e. a transfer of the Customer from another Operator.

It couldn't be more "Easy"...

Prices

For each broadband access including Internet browsing you pay a one-off contribution and a monthly fee.

For more information, please contact your Wholesale Account Manager.

Regulatory Conditions

The offer is for Operators holding individual licences or general authorisations for telecommunications networks and services for public use which existed before the entry into force of Italian Legislative Decree No. 259 of 1 August 2003 concerning the 'Electronic Communications Code' (referred to in Art. 38 of the Code), as last amended by Italian Legislative Decree no. 70 of 28 May 2012, and to companies holding a general authorisation for electronic communications networks and services pursuant to Article 25 of Italian Legislative Decree no. 259 of 1 August 2003, as last amended by Italian Legislative Decree no. 70 of 28 May 2012.

 FiberCop